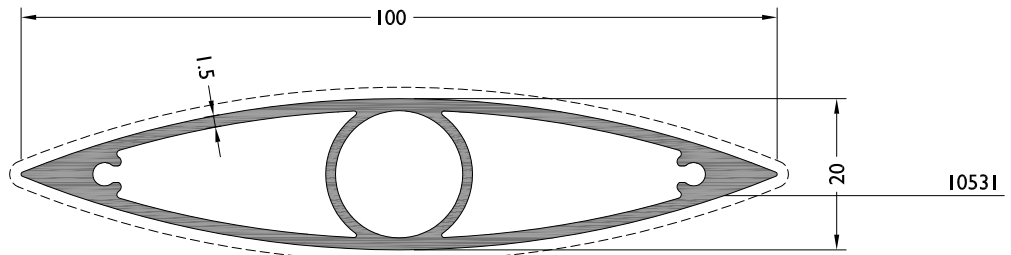




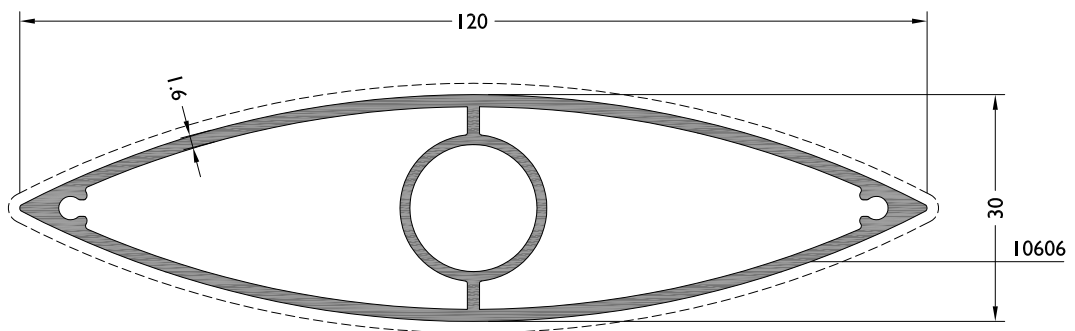
LINA 15 'SS  
SOLAR SHADING SYSTEM





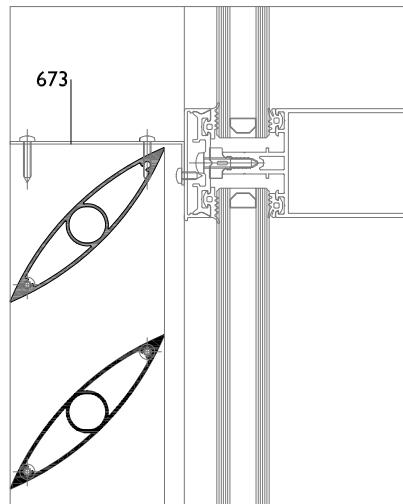
CODE  
**15PS02**

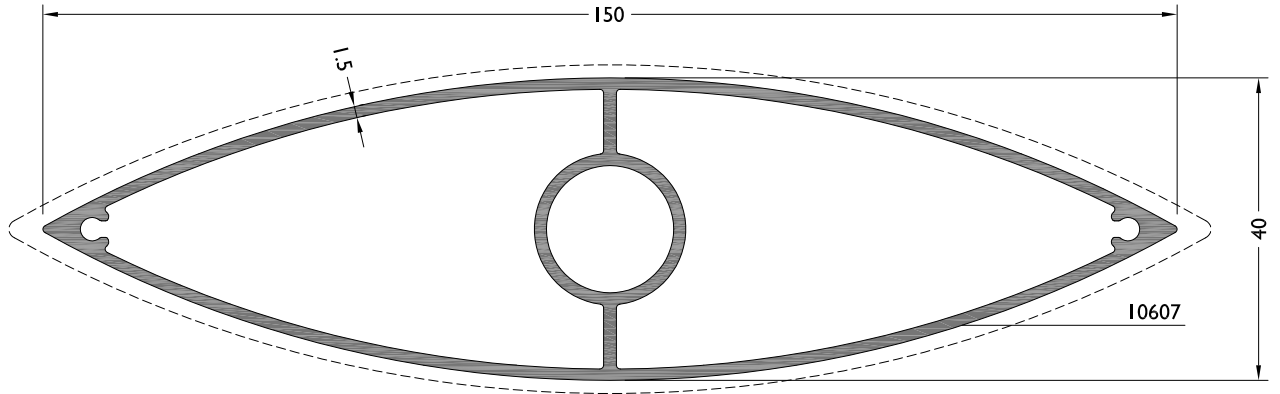
THEORETICAL  
WEIGHT kg/m  
**1.086**



CODE  
**15PS08**

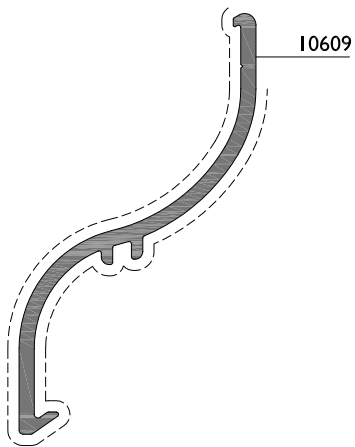
THEORETICAL  
WEIGHT kg/m  
**1.331**





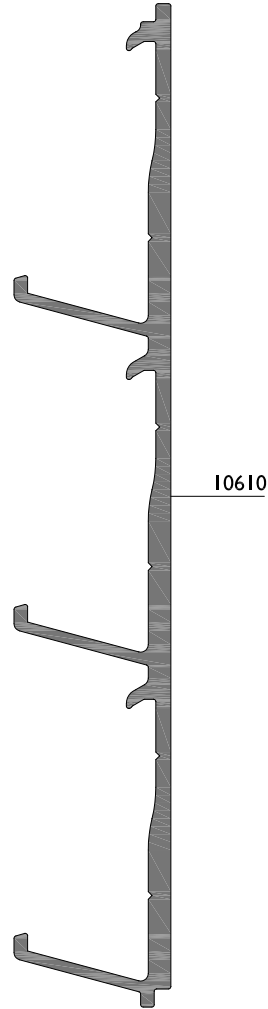
CODE  
**15PS09**

THEORETICAL  
WEIGHT kg/m  
**1.636**



CODE  
**15PS06**

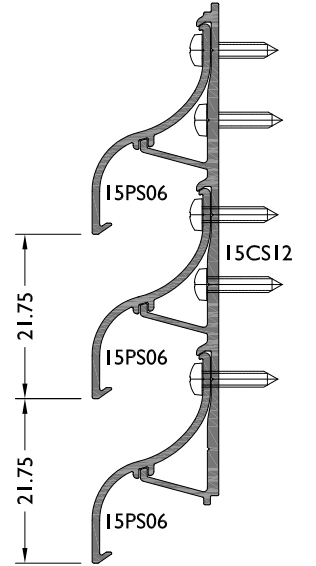
THEORETICAL  
WEIGHT kg/m  
**0.411**



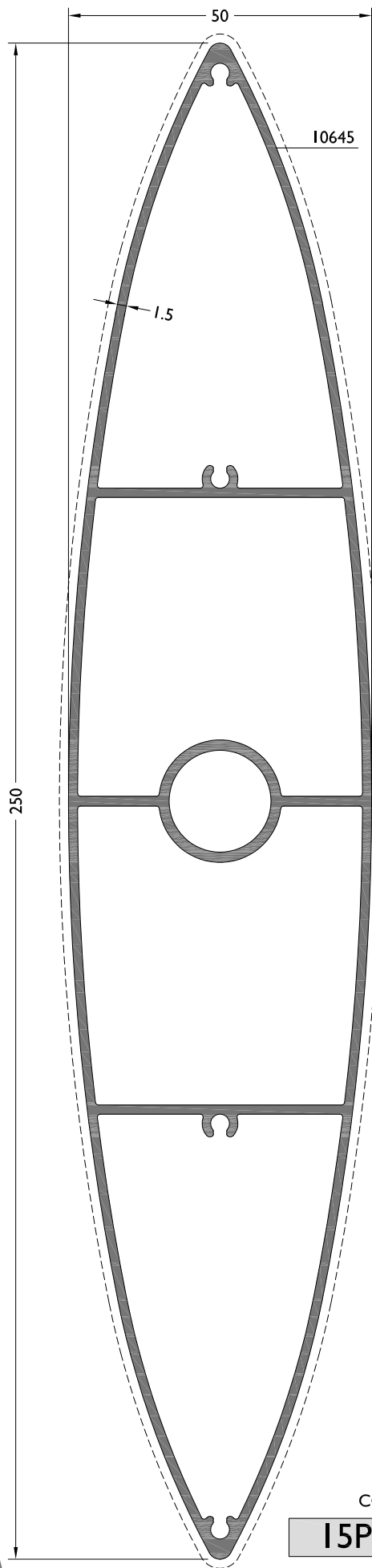
Görünen yüzey yoktur.

CODE  
**15CS12**

THEORETICAL  
WEIGHT kg/m  
**1.216**

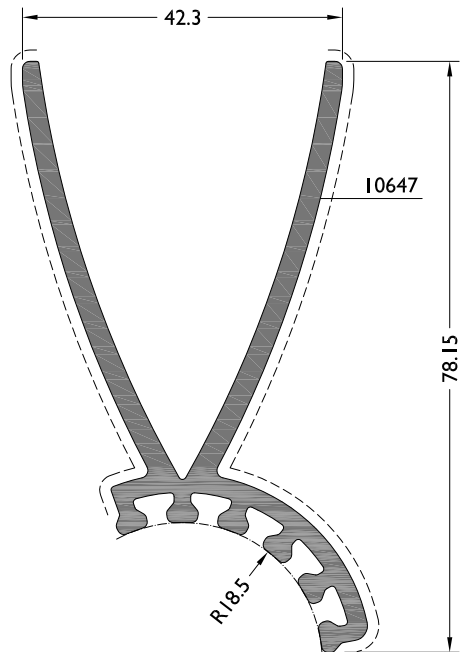


ÖLÇEK : 1/2



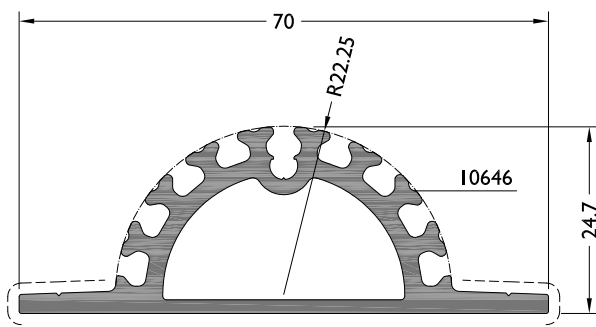
CODE  
**15PS11**

THEORETICAL  
WEIGHT kg/m  
**2.915**



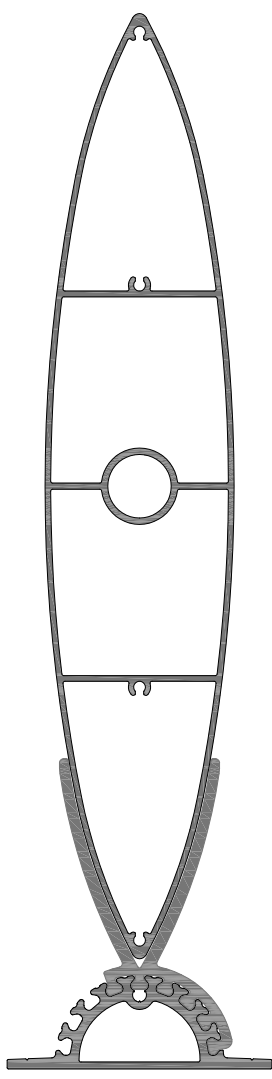
CODE  
**15CS14**

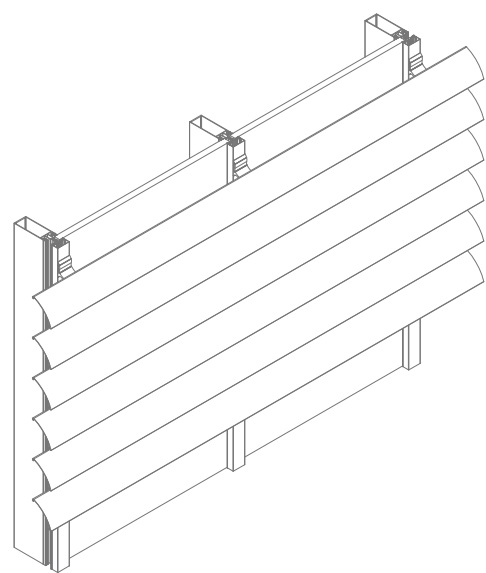
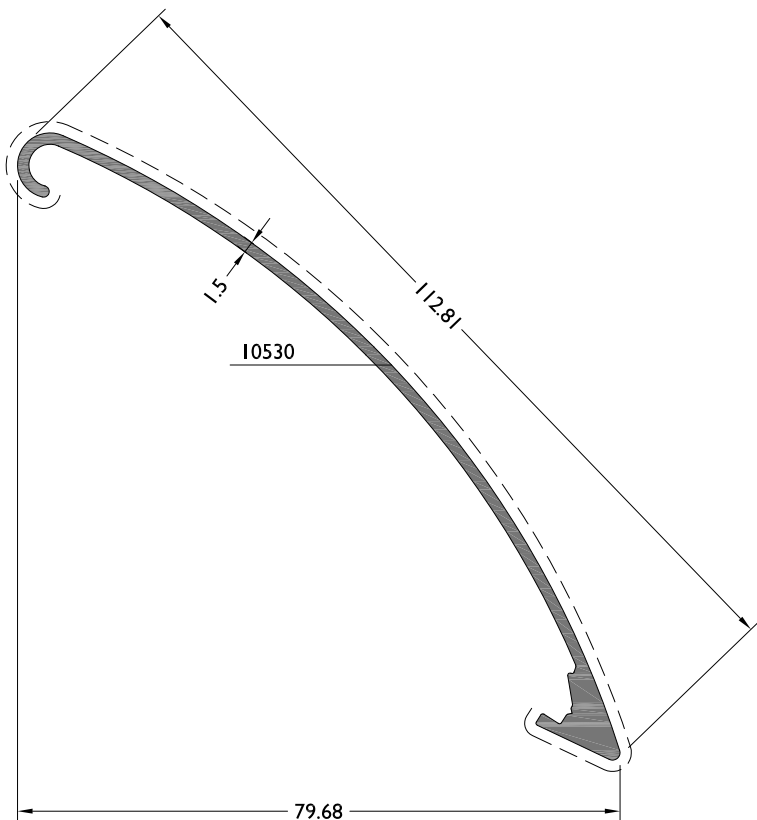
THEORETICAL  
WEIGHT kg/m  
**1.370**



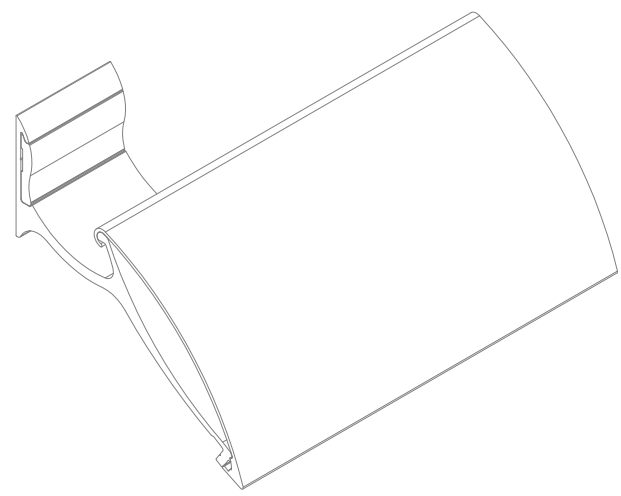
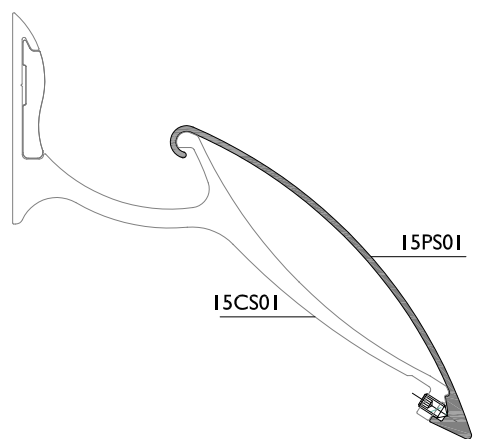
CODE  
**15CS15**

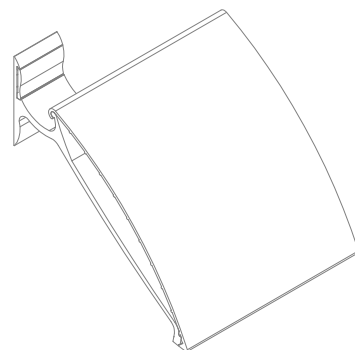
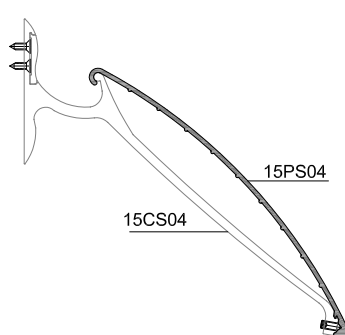
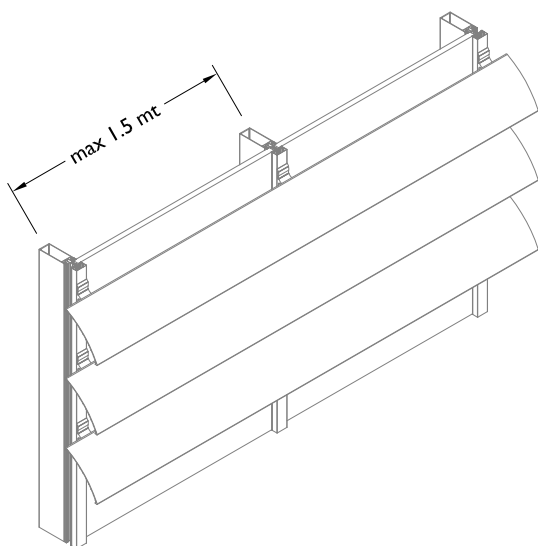
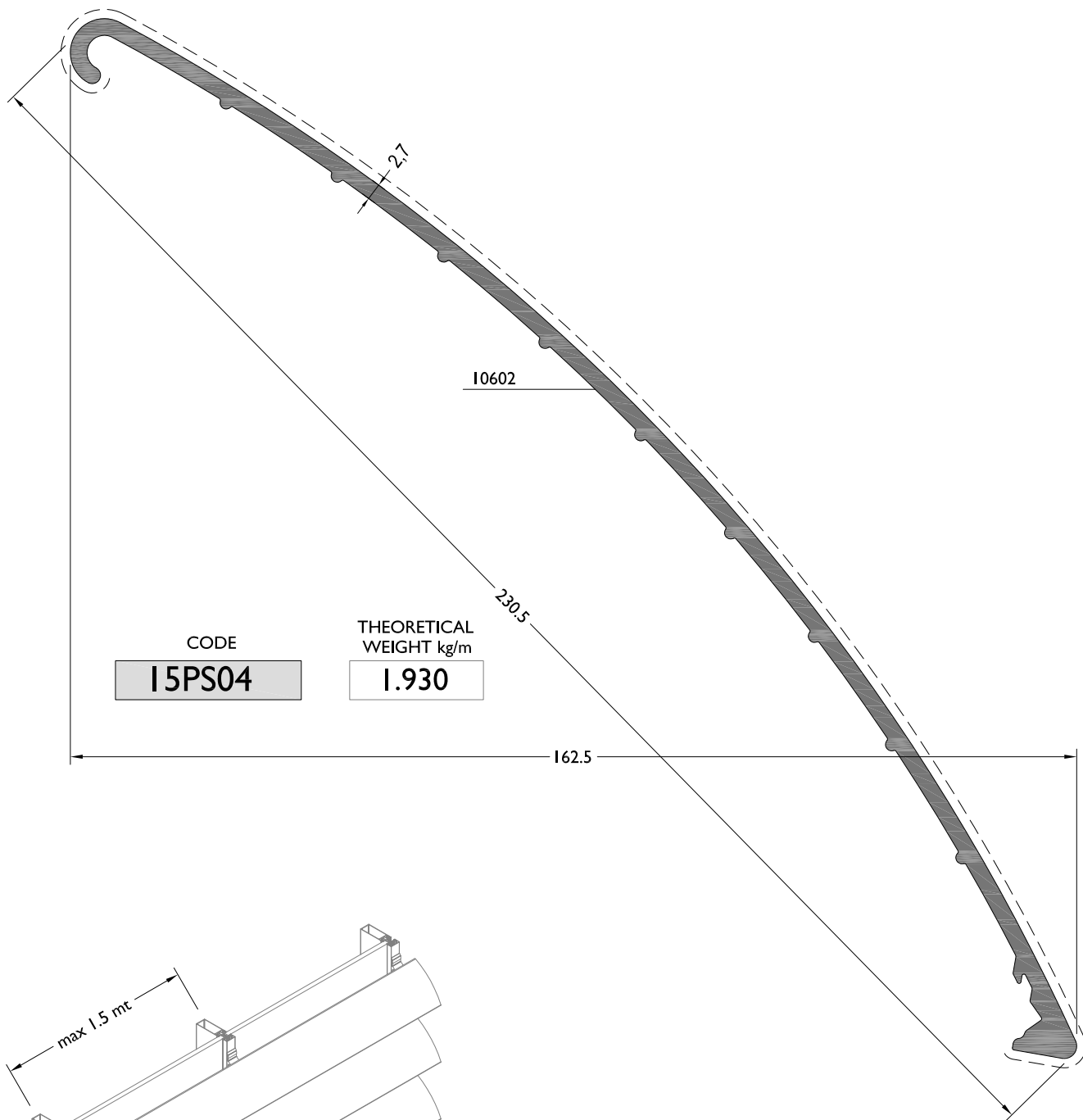
THEORETICAL  
WEIGHT kg/m  
**1.088**

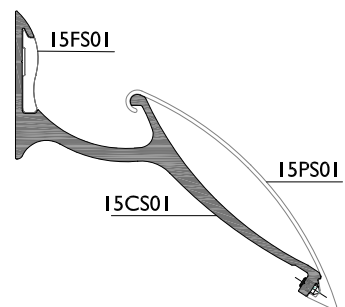
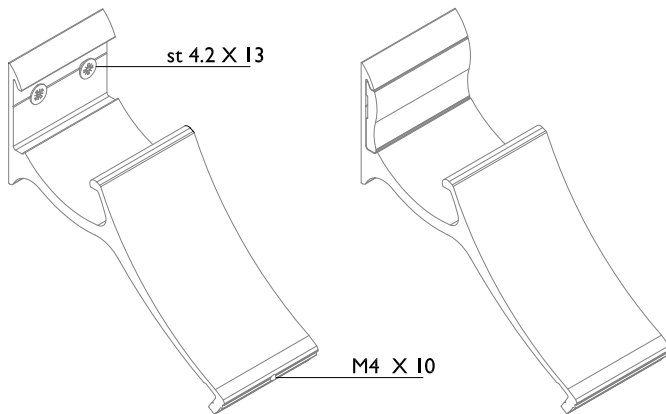
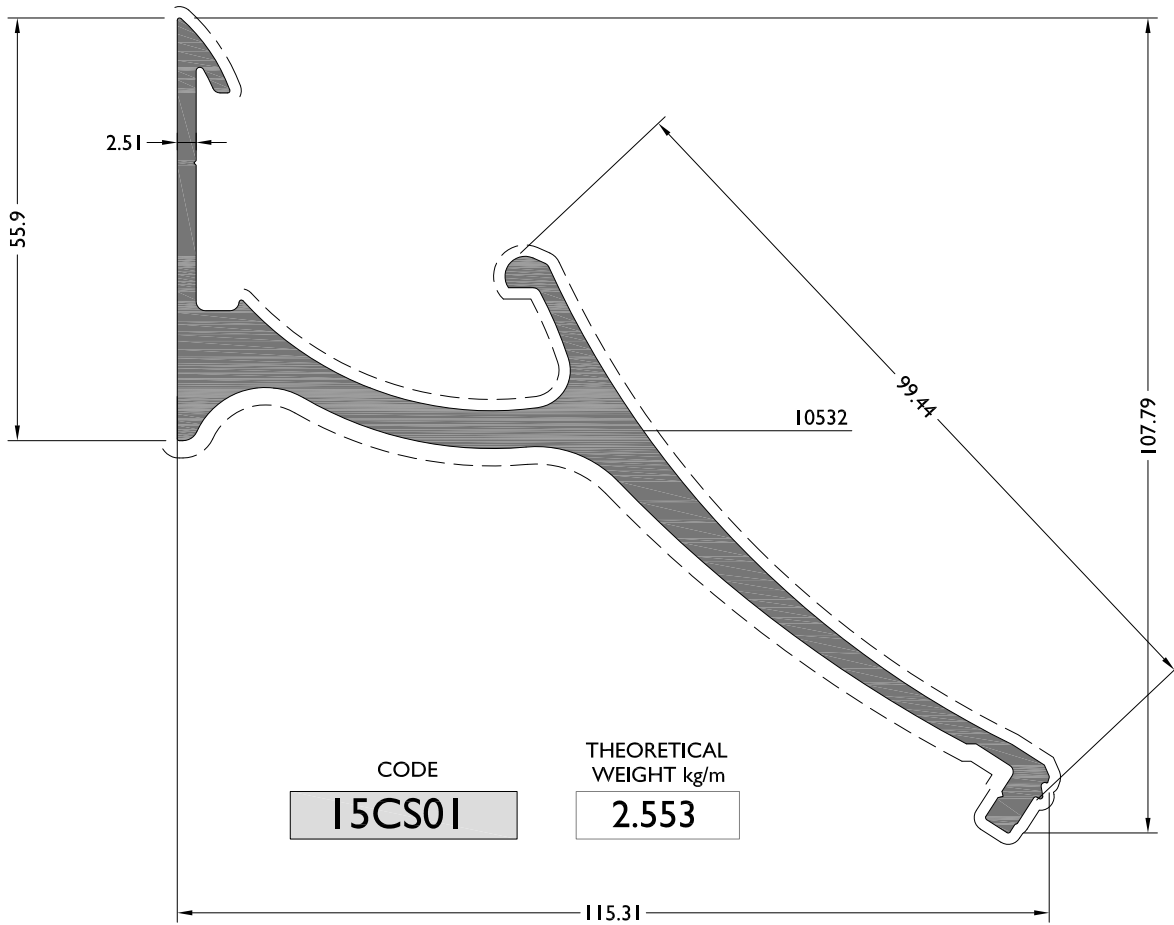


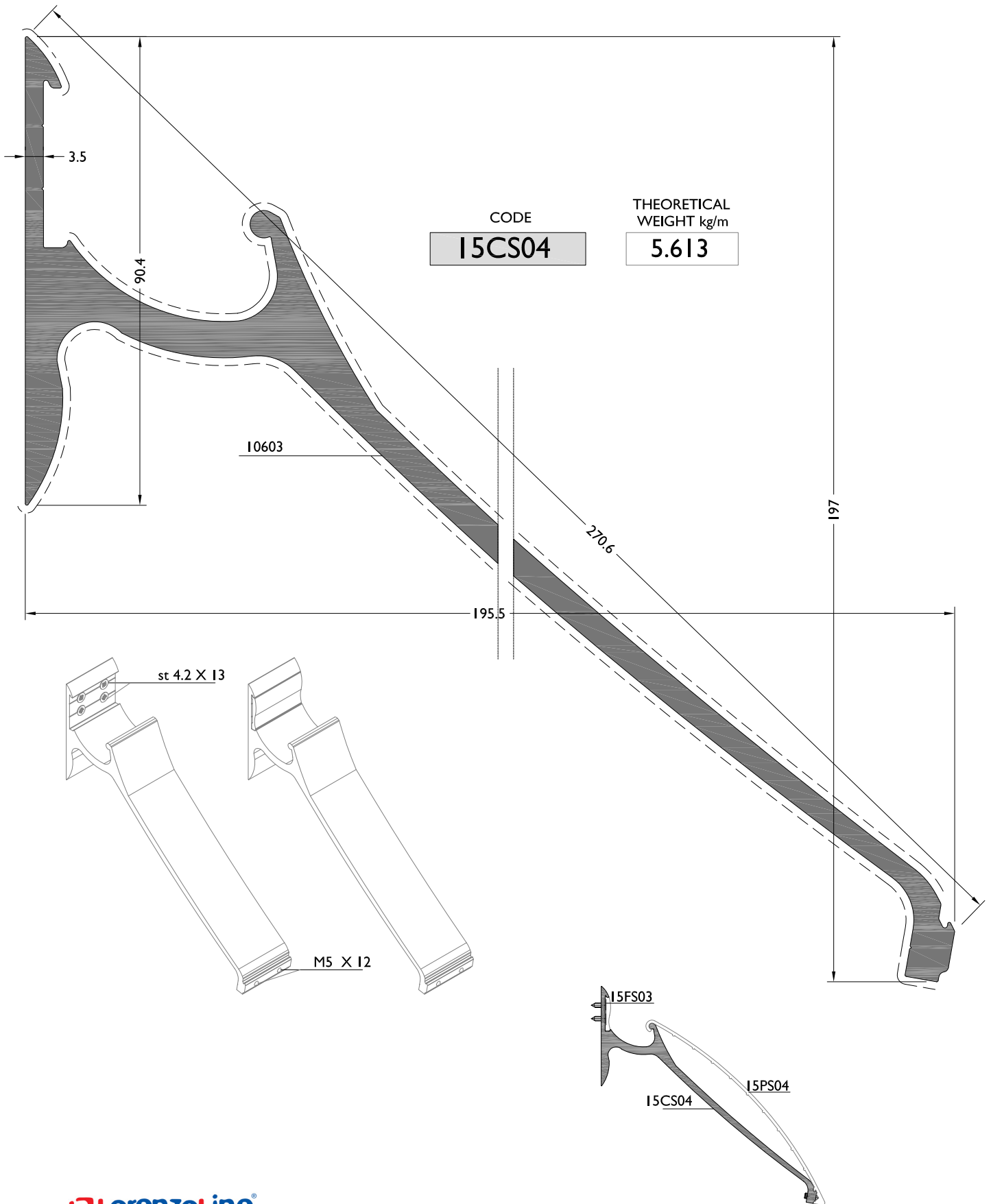


CODE	THEORETICAL WEIGHT kg/m
<b>15PS01</b>	<b>0.622</b>

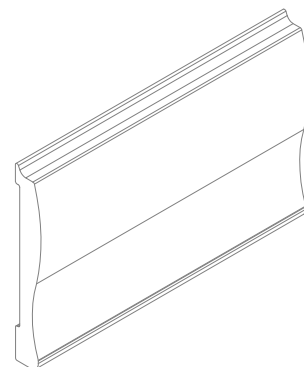
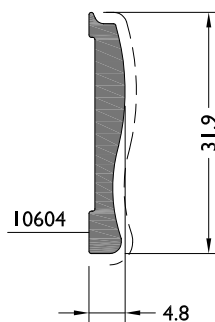
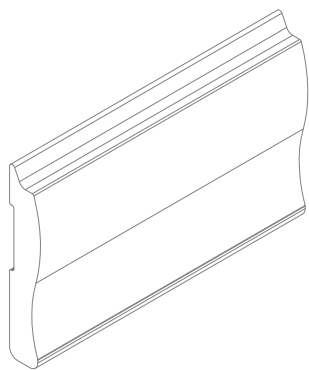
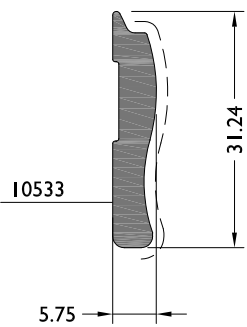












CODE

**15FS01**

THEORETICAL WEIGHT kg/m

**0.370**

CODE

**15FS03**

THEORETICAL WEIGHT kg/m

**0.284**

